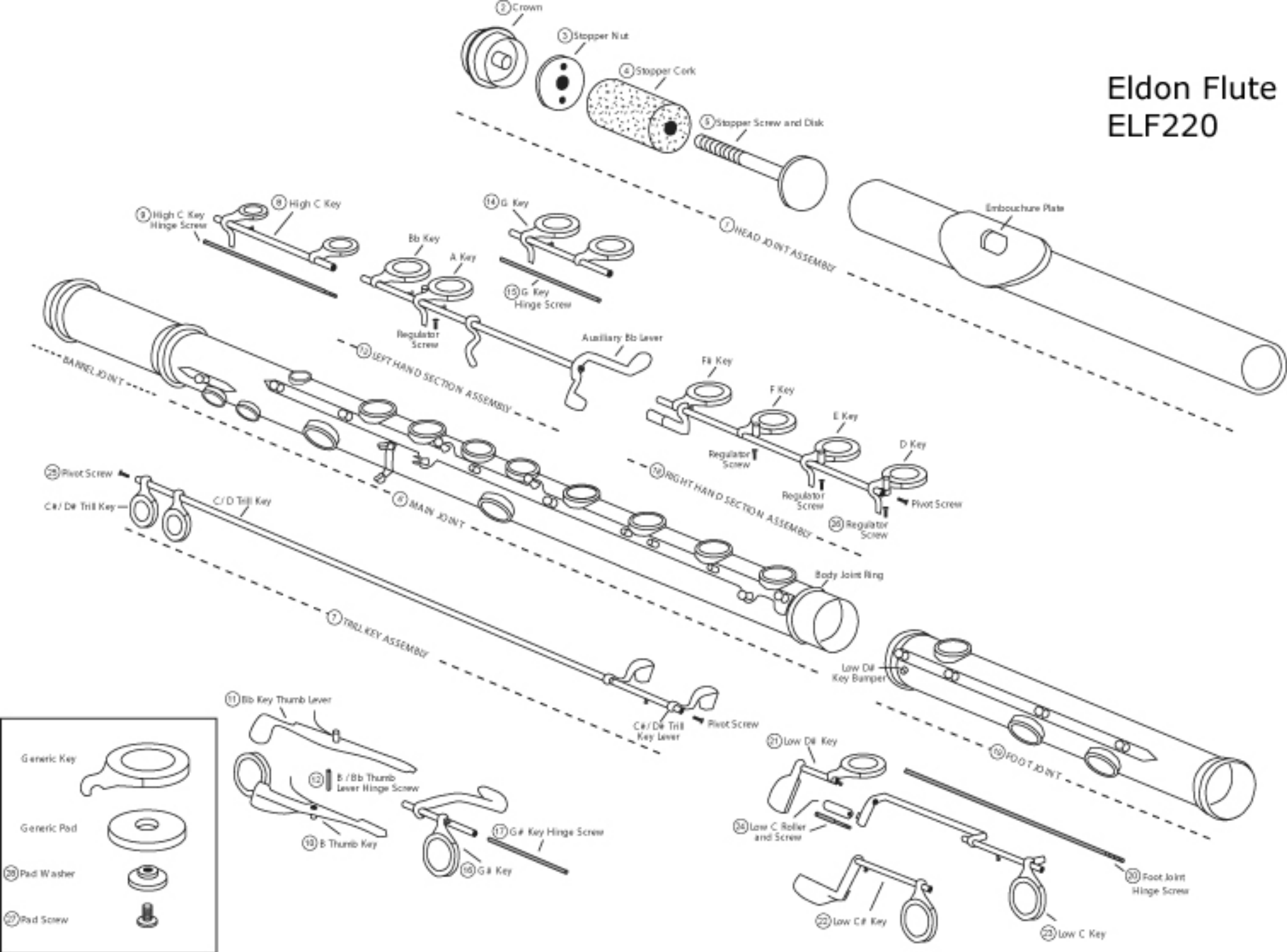


Band Instrument Parts Catalog



May 12, 2009

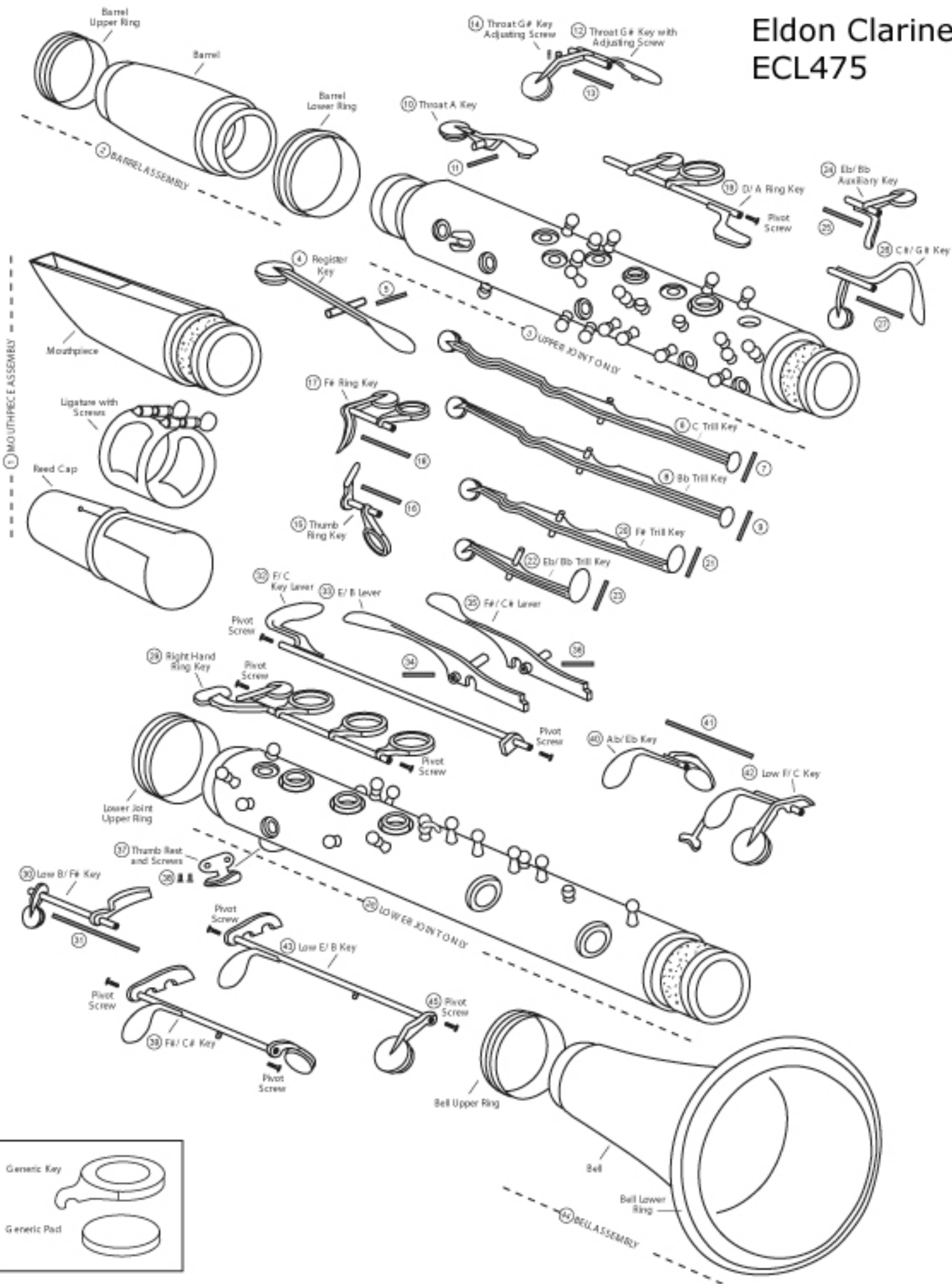
Eldon Flute ELF220



Eldon Flute
ELF220

Diagram	Description	Part
1	Head Joint Assembly	PLF220-01
2	Crown	PLF220-02
3	Stopper Nut	PLF220-03
4	Stopper Cork	PLF220-04
5	Stopper Screw and Disk	PLF220-05
6	Main Joint (No Keys)	PLF220-06
7	C#/D# - C/D Trill Key Assembly	PLF220-07
8	High C Key	PLF220-08
9	High C Key Hinge Screw	PLF220-09
10	B Thumb Key	PLF220-10
11	Bb Key Thumb Lever	PLF220-11
12	B/Bb Thumb Lever Hinge Screw	PLF220-12
13	Left Hand Section Assembly	PLF220-13
14	G Key	PLF220-14
15	G Key Hinge Screw	PLF220-15
16	G# Key	PLF220-16
17	G# Key Hinge Screw	PLF220-17
18	Right Hand Section Assmbly	PLF220-18
19	Foot Joint	PLF220-19
20	Foot Joint Hinge Screw	PLF220-20
21	Low D# Key	PLF220-21
22	Low C# Key	PLF220-22
23	Low C Key	PLF220-23
24	Low C Roller and Screw	PLF220-24
25	Pivot Screw	PLF220-25
26	Regulator Screw	PLF220-26
27	Pad Screw	PLF220-27
28	Pad Washer	PLF220-28

Eldon Clarinet ECL475



1 MOUTHPIECE ASSEMBLY

2 BARREL ASSEMBLY

3 UPPER JOINT ONLY

4 LOWER JOINT ONLY

5 BELL ASSEMBLY

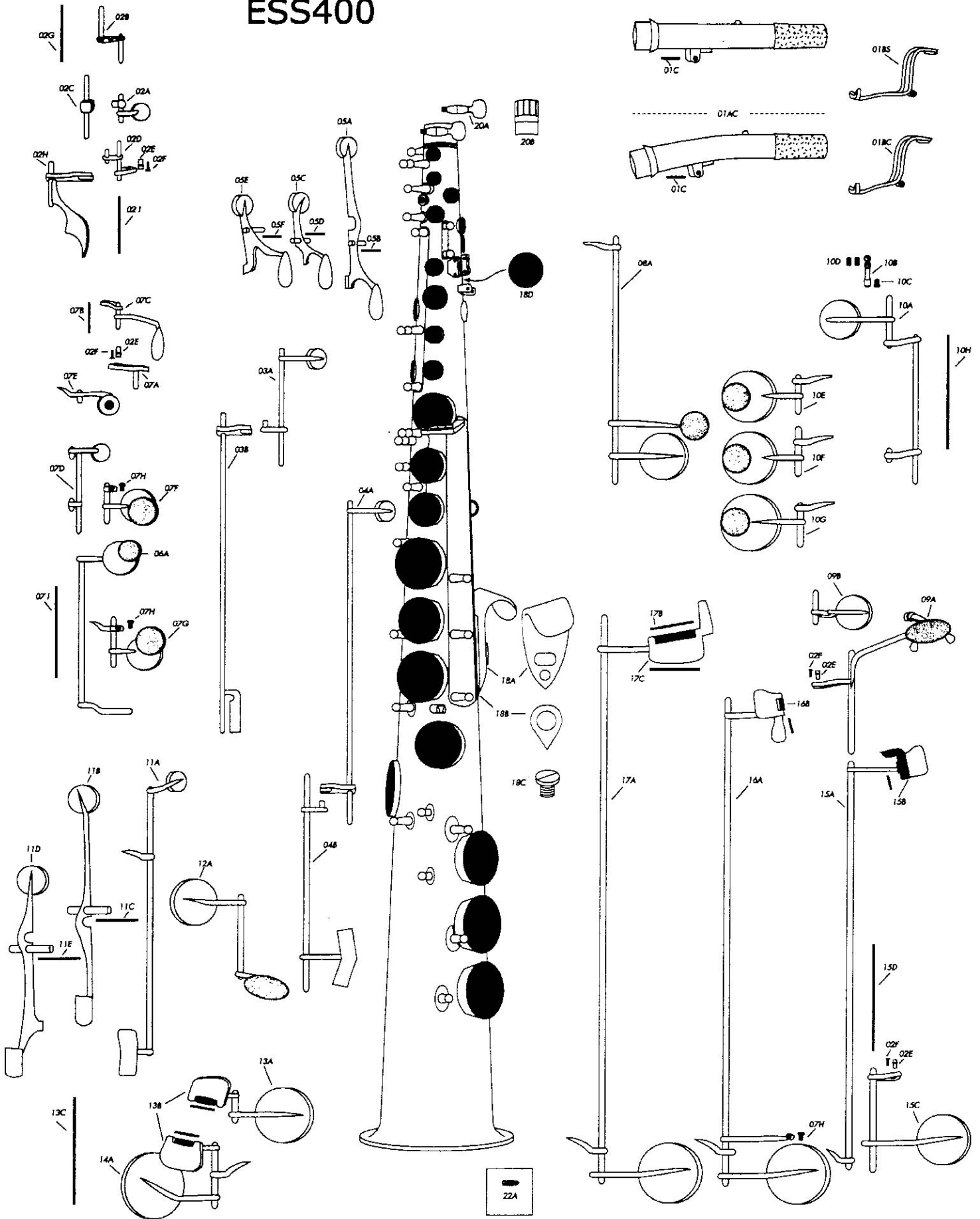


Eldon Clarinet
ECL475

Diagram	Description	Part
1	Mouthpiece Assembly	PCL475-01
2	Barrel Assembly	PCL475-02
3	Upper Joint Only	PCL475-03
4	Register Key	PCL475-04
5	Register Hinge Screw	PCL475-05
6	C Trill Key	PCL475-06
7	C Trill Key Hinge Screw	PCL475-07
8	Bb Trill Key	PCL475-08
9	Bb Trill Key Hinge Screw	PCL475-09
10	Throat A Key	PCL475-10
11	Throat A Key Hinge Screw	PCL475-11
12	Throat G# Key with Adjusting Screw	PCL475-12
13	Throat G# Key Hinge Screw	PCL475-13
14	Throat G# Key Adjusting Screw	PCL475-14
15	Thumb Ring Key	PCL475-15
16	Thumb Ring Key Hinge Screw	PCL475-16
17	F# Ring Key	PCL475-17
18	F# Ring Key Hinge Screw	PCL475-18
19	D/A Ring Key	PCL475-19
20	F# Trill Key	PCL475-20
21	F# Trill Key Hinge Screw	PCL475-21
22	Eb/Bb Trill Key	PCL475-22
23	Eb/Bb Trill Key Hinge Screw	PCL475-23
24	Eb/Bb Auxiliary Key	PCL475-24
25	Eb/Bb Auxiliary Key Hinge Screw	PCL475-25
26	C#/G# Key Hinge Screw	PCL475-26
27	C#/G# Key	PCL475-27
28	Lower Joint Only	PCL475-28
29	Right Hand Ring Key	PCL475-29
30	Lower B/F# Key	PCL475-30
31	Lower B/F# Key Hinge Screw	PCL475-31
32	F/C Key Lever	PCL475-32
33	E/B Lever	PCL475-33
34	E/B Lever Hinge Screw	PCL475-34
35	F#/C# Lever	PCL475-35
36	F#/C# Lever Hinge Screw	PCL475-36
37	Thumb Rest	PCL475-37
38	Thumb Rest Screw	PCL475-38
39	F#/C# Key	PCL475-39
40	Ab/Eb Key	PCL475-40
41	Ab/Eb Key and F/C Keys Hinge Screw	PCL475-41
42	Low F/C Key	PCL475-42
43	Low E/B Key	PCL475-43
44	Bell Assembly	PCL475-44
45	Pivot Screw	PCL475-45

Eldon Soprano Saxophone ESS400

01AS



Eldon Soprano Saxophone
ESS400

Diagram	Description	Part
01AC	Curved Mouthpipe Assembly	P400-001C
01AS	Straight Mouthpipe Assembly	P400-001S
01BC	Curved Upper Octave Key	P400-003C
01BS	Straight Upper Octave Key	P400-003S
01E	Upper Octave Key Hinge Screw	P400-005
02A	Lower Octave Key	P400-007
02B	Octave Shift Lever	P400-008
02C	Octave Rocker Arm	P400-009
02D	Little Octave Lever	P400-010
02E	Adjustment Lug	P400-043
02F	Adjustment Lug Screw	P400-043A
02G	Octave Stack Hinge Screw	P400-011
02H	Thumb Octave Lever	P400-015
02I	Thumb Lever Hinge Screw	P400-016
03A	High G Key	P400-019
03B	High G Lever	P400-022
04A	High F# Key	P400-025
04B	High F# Lever	P400-027
05A	High F Key	P400-031
05B	High F Key Hinge Screw	P400-032
05C	High D# Key	P400-034
05D	High D# Key Hinge Screw	P400-035
05E	High D Key	P400-036
05F	High D Key Hinge Screw	P400-037
06A	Bb Key	P400-039
07A	Auxiliary High F Rocker	P400-040
07B	High F Rocker Hinge Screw	P400-041
07C	Auxiliary High F Lever	P400-042
07D	C Key	P400-044
07E	C Joint Key	P400-045
07F	B Key	P400-046
07G	A Key	P400-047
07H	Adjustment Screw	P400-049
07I	Upper Stack Hinge Screw	P400-050
08A	G Key	P400-051
09A	G# Lever	P400-053
09B	G# Key	P400-055
10A	F# Key	P400-056
10B	Bb/G# Articulation Arm	P400-057
10C	Bb/G# Articulation Arm Screw	P400-058
10D	Adjustment Screw	P400-059
10E	F Key	P400-060
10F	E Key	P400-061
10G	D Key	P400-062
10H	Lower Stack Hinge Screw	P400-063
11A	High E Key	P400-064
11B	Side C Key	P400-066

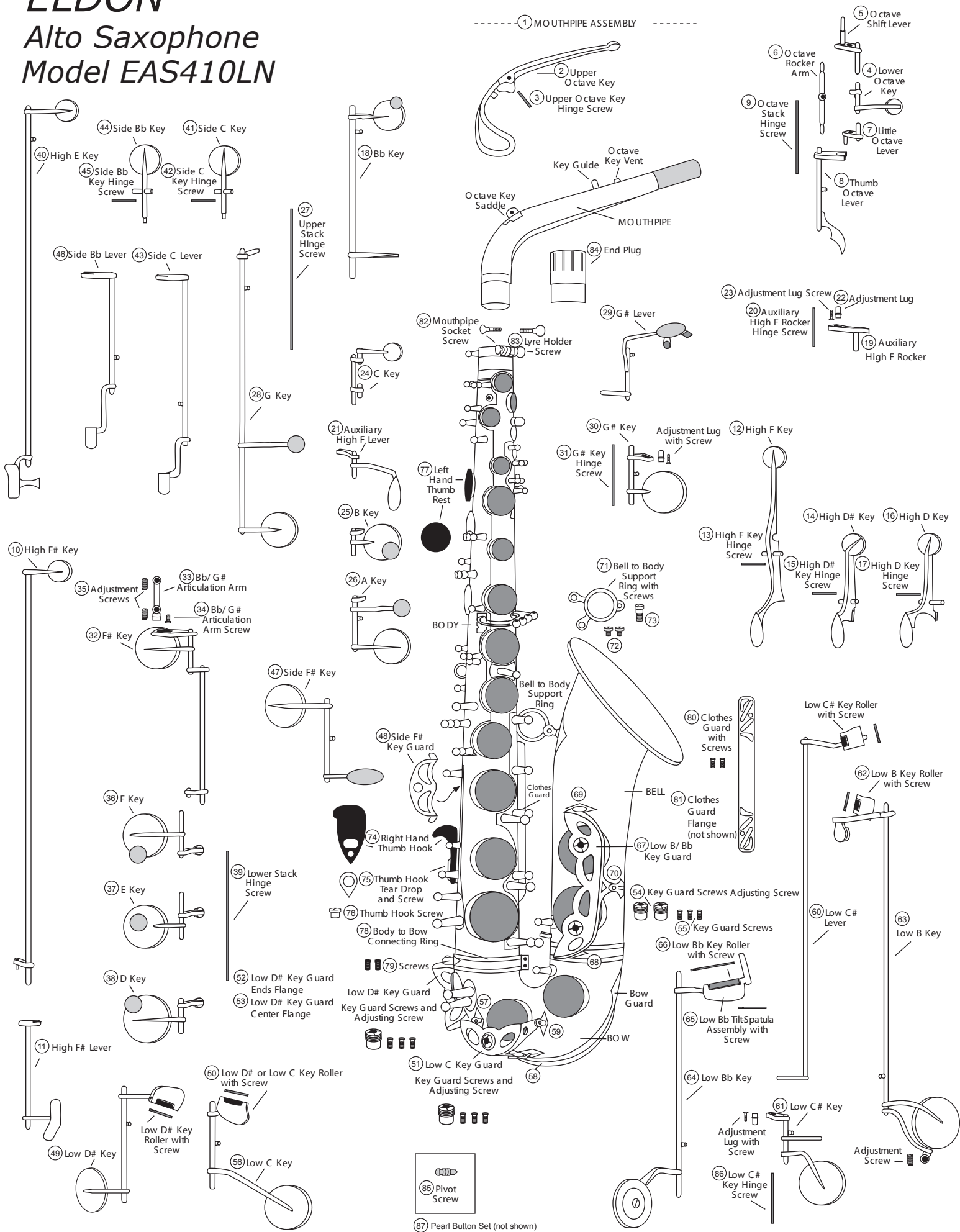
Eldon Soprano Saxophone
ESS400

Diagram	Description	Part
11C	Side C Key Hinge Screw	P400-067
11D	Side Bb Key	P400-068
11E	Side Bb Key Hinge Screw	P400-069
12A	Side F# Key	P400-070
13A	Low D# Key	P400-73
13B	Low D# or Low C Key Roller	P400-074
13C	Low D#/C Keys Hinge Screw	P400-075
14A	Low C Key	P400-078
15A	Low C# Lever	P400-079
15B	Low C# Lever Roller	P400-080
15C	Low C# Key	P400-082
15D	Low C# Key Hinge Screw	P400-083
16A	Low B Key	P400-086
16B	Low B Key Roller	P400-087
17A	Low Bb Key	P400-089
17B	Low Bb Key Roller	P400-090
17C	Low Bb Tilt-Spatula Assembly	P400-091
18A	Right Hand Thumb Hook	P400-094
18B	Thumb Hook Tear Drop	P400-095
18C	Thumb Hook Screw	P400-096
18D	Left Hand Thumb Rest	P400-097
20A	Mouthpipe Socket Screw	P400-100
20B	End Plug	P400-101
22A	Pivot Screw	P400-102
Not Labeled	Pearl Button Round - Large	P400-104
Not Labeled	Pearl Button Round - Small	P400-105
Not Labeled	Pearl Button - Oval	P400-106

ELDON

Alto Saxophone

Model EAS410LN



Eldon Alto Saxophone
EAS410LN

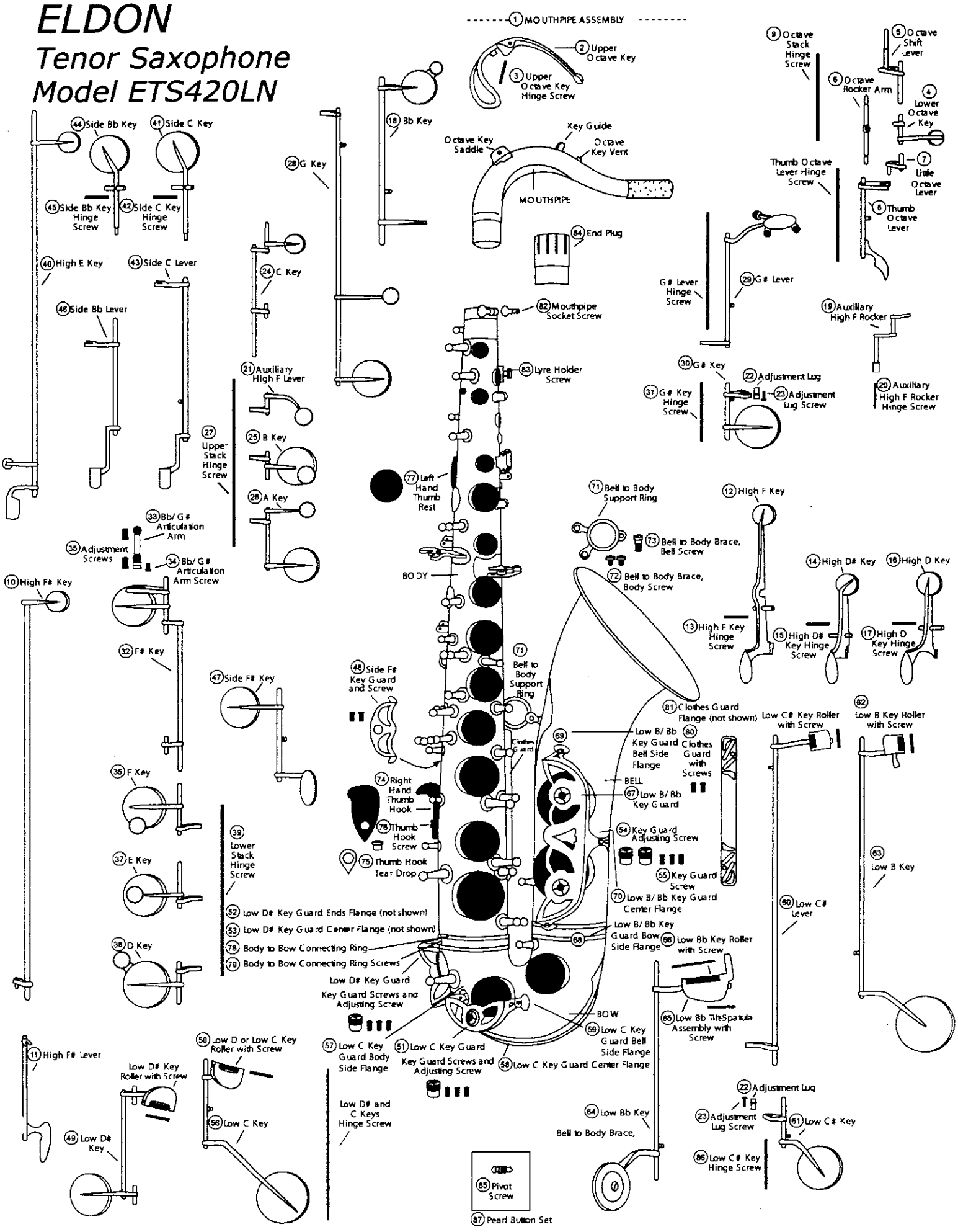
Diagram	Description	Part
1	Mouthpiece Assembly	PAS410-01
2	Upper Octave Key	PAS410-02
3	Upper Octave Key Hinge Screw	PAS410-03
4	Lower Octave Key	PAS410-04
5	Octave Shift Lever	PAS410-05
6	Octave Rocker Arm	PAS410-06
7	Little Octave Lever	PAS410-07
8	Thumb Octave Lever	PAS410-08
9	Octave Stack Hinge Screw	PAS410-09
10	High F# Key	PAS410-10
11	High F# Lever	PAS410-11
12	High F Key	PAS410-12
13	High F Key Hinge Screw	PAS410-13
14	High D# Key	PAS410-14
15	High D# Key Hinge Screw	PAS410-15
16	High D Key	PAS410-16
17	High D Key Hinge Screw	PAS410-17
18	Bb Key	PAS410-18
19	Auxiliary High F Rocker	PAS410-19
20	Auxiliary High F Rocker Hinge Screw	PAS410-20
21	Auxiliary High F Lever	PAS410-21
22	Adjustment Lug	PAS410-22
23	Adjustment Lug Screw	PAS410-23
24	C Key	PAS410-24
25	B Key	PAS410-25
26	A Key	PAS410-26
27	Upper Stack Hinge Screw	PAS410-27
28	G Key	PAS410-28
29	G# Lever	PAS410-29
30	G# Key	PAS410-30
31	G# Key Hinge Screw	PAS410-31
32	F# Key	PAS410-32
33	Bb/G# Articulation Arm	PAS410-33
34	Bb/G# Articulation Arm Screw	PAS410-34
35	Adjustment Screws	PAS410-35
36	F Key	PAS410-36
37	E Key	PAS410-37
38	D Key	PAS410-38
39	Lower Stack Hinge Screw	PAS410-39
40	High E Key	PAS410-40
41	Side Key	PAS410-41
42	Side C Key Hinge Screw	PAS410-42
43	Side C Lever	PAS410-43
44	Side Bb Key	PAS410-44

Eldon Alto Saxophone
EAS410LN

Diagram	Description	Part
45	Side Bb Key Hinge Screw	PAS410-45
46	Side Bb Lever	PAS410-46
47	Side F# Key	PAS410-47
48	Side F# Key Guard	PAS410-48
49	Low D# Key	PAS410-49
50	Low D or Low C Key Roller with Screw	PAS410-50
51	Low C Key Guard	PAS410-51
52	Low D# Key Gaurd Ends Flange	PAS410-52
53	Low D# Key Gaurd Center Flange	PAS410-53
54	Key Guard Adjusting Screw	PAS410-54
55	Key Guard Screw	PAS410-55
56	Low C Key	PAS410-56
57	Low C Key Guard Body Side Flange	PAS410-57
58	Low C Key Guard Center Flange	PAS410-58
59	Low C Key Guard Bell Side Flange	PAS410-59
60	Lower C Lever	PAS410-60
61	Low C# Key	PAS410-61
62	Low B Key Roller with Screw	PAS410-62
63	Low B Key	PAS410-63
64	Low Bb Key	PAS410-64
65	Low Bb Tilt-Spatula Assembly with Screw	PAS410-65
66	Low Bb Key Roller with Screw	PAS410-66
67	Low B/Bb Key Guard	PAS410-67
68	Low B/Bb Key Guard Bow Side Flange	PAS410-68
69	Low B/Bb Key Guard Bell Side Flange	PAS410-69
70	Low B/Bb Key Guard Center Flange	PAS410-70
71	Bell to Body Support Ring	PAS410-71
72	Bell to Body Brace, Body Screw	PAS410-72
73	Bell to Body Brace, Bell Screw	PAS410-73
74	Right Hand Thumb Hook	PAS410-74
75	Thumb Hook Tear Drop	PAS410-75
76	Thumb Hook	PAS410-76
77	Left Hand Thumb Rest	PAS410-77
78	Body to Bow Connecting Ring	PAS410-78
79	Body to Bow Connecting Ring Screws	PAS410-79
80	Clothes Guard with Screws	PAS410-80
81	Clothes Guard Flange	PAS410-81
82	Mouthpipe Socket Screw	PAS410-82
83	Lyre Holder Screw	PAS410-83
84	End Plug	PAS410-84
85	Pivot Screw	PAS410-85
86	Low C# Key Hinge Screw	PAS410-86
87	Pearl Button Set	PAS410-87

ELDON

Tenor Saxophone Model ETS420LN



Eldon Tenor Saxophone
ETS420LN

Diagram	Description	Part
1	Mouthpiece Assembly	PTS420-01
2	Upper Octave Key	PTS420-02
3	Upper Octave Key Hinge Screw	PTS420-03
4	Lower Octave Key	PTS420-04
5	Octave Shift Lever	PTS420-05
6	Octave Rocker Arm	PTS420-06
7	Little Octave Lever	PTS420-07
8	Thumb Octave Lever	PTS420-08
9	Octave Stack Hinge Screw	PTS420-09
10	High F# Key	PTS420-10
11	High F# Lever	PTS420-11
12	High F Key	PTS420-12
13	High F Key Hinge Screw	PTS420-13
14	High D# Key	PTS420-14
15	High D# Key Hinge Screw	PTS420-15
16	High D Key	PTS420-16
17	High D Key Hinge Screw	PTS420-17
18	Bb Key	PTS420-18
19	Auxiliary High F Rocker	PTS420-19
20	Auxiliary High F Rocker Hinge Screw	PTS420-20
21	Auxiliary High F Lever	PTS420-21
22	Adjustment Lug	PTS420-22
23	Adjustment Lug Screw	PTS420-23
24	C Key	PTS420-24
25	B Key	PTS420-25
26	A Key	PTS420-26
27	Upper Stack Hinge Screw	PTS420-27
28	G Key	PTS420-28
29	G# Lever	PTS420-29
30	G# Key	PTS420-30
31	G# Key Hinge Screw	PTS420-31
32	F# Key	PTS420-32
33	Bb/G# Articulation Arm	PTS420-33
34	Bb/G# Articulation Arm Screw	PTS420-34
35	Adjustment Screws	PTS420-35
36	F Key	PTS420-36
37	E Key	PTS420-37
38	D Key	PTS420-38
39	Lower Stack Hinge Screw	PTS420-39
40	High E Key	PTS420-40
41	Side Key	PTS420-41
42	Side C Key Hinge Screw	PTS420-42
43	Side C Lever	PTS420-43
44	Side Bb Key	PTS420-44

Eldon Tenor Saxophone
ETS420LN

Diagram	Description	Part
45	Side Bb Key Hinge Screw	PTS420-45
46	Side Bb Lever	PTS420-46
47	Side F# Key	PTS420-47
48	Side F# Key Guard	PTS420-48
49	Low D# Key	PTS420-49
50	Low D or Low C Key Roller with Screw	PTS420-50
51	Low C Key Guard	PTS420-51
52	Low D# Key Gaurd Ends Flange	PTS420-52
53	Low D# Key Gaurd Center Flange	PTS420-53
54	Key Guard Adjusting Screw	PTS420-54
55	Key Guard Screw	PTS420-55
56	Low C Key	PTS420-56
57	Low C Key Guard Body Side Flange	PTS420-57
58	Low C Key Guard Center Flange	PTS420-58
59	Low C Key Guard Bell Side Flange	PTS420-59
60	Lower C Lever	PTS420-60
61	Low C# Key	PTS420-61
62	Low B Key Roller with Screw	PTS420-62
63	Low B Key	PTS420-63
64	Low Bb Key	PTS420-64
65	Low Bb Tilt-Spatula Assembly with Screw	PTS420-65
66	Low Bb Key Roller with Screw	PTS420-66
67	Low B/Bb Key Guard	PTS420-67
68	Low B/Bb Key Guard Bow Side Flange	PTS420-68
69	Low B/Bb Key Guard Bell Side Flange	PTS420-69
70	Low B/Bb Key Guard Center Flange	PTS420-70
71	Bell to Body Support Ring	PTS420-71
72	Bell to Body Brace, Body Screw	PTS420-72
73	Bell to Body Brace, Bell Screw	PTS420-73
74	Right Hand Thumb Hook	PTS420-74
75	Thumb Hook Tear Drop	PTS420-75
76	Thumb Hook	PTS420-76
77	Left Hand Thumb Rest	PTS420-77
78	Body to Bow Connecting Ring	PTS420-78
79	Body to Bow Connecting Ring Screws	PTS420-79
80	Clothes Guard with Screws	PTS420-80
81	Clothes Guard Flange	PTS420-81
82	Mouthpipe Socket Screw	PTS420-82
83	Lyre Holder Screw	PTS420-83
84	End Plug	PTS420-84
85	Pivot Screw	PTS420-85
86	Low C# Key Hinge Screw	PTS420-86
87	Pearl Button Set	PTS420-87

Eldon Trumpet
ETP102

Diagram	Description	Part
1	Mouthpiece Receiver	PTP102-01
2	Lead Pipe	PTP102-02
3	Lead Pipe/2nd Valve Brace	PTP102-03
4	Lead Pipe Finger Hook	PTP102-04
5	Main Slide Assembly	PTP102-05
6	Main Upper Receiver	PTP102-06
7	Main Lower Receiver	PTP102-07
8	Main Upper Inner Slide	PTP102-08
9	Main Lower Inner Slide	PTP102-09
10	Main Slide Crook	PTP102-10
11	Main Slide Ferrule	PTP102-11
12	Main Slide Brace and Flanges	PTP102-12
13	Bell/Mouthpipe Receiver Brace	PTP102-13
14	Bell/Main Slide Receiver Brace	PTP102-14
15	Bell/2nd Valve Brace	PTP102-15
16	Bell/1st Valve Receiver Brace	PTP102-16
17	Lever Water Key	PTP102-17
18	Lever Water Key Lever	PTP102-18
19	Lever Water Key screw	PTP102-19
20	Lever Water Key Spring	PTP102-20
21	Finger Button Pearl Insert	PTP102-21
22	Finger Button Assembly	PTP102-22
23	Valve Stem	PTP102-23
24	Valve Stem Felt	PTP102-24
25	Valve Cap, Upper	PTP102-25
26	Valve Cap Felt	PTP102-26
27	Valve Caps, Lower	PTP102-27
28	Valve Guide	PTP102-28
29	Valve Spring	PTP102-29
30	1st Valve Piston	PTP102-30
31	2nd Valve Piston	PTP102-31
32	3rd Valve Piston	PTP102-32
33	1st Valve Slide Assembly	PTP102-33
34	1st Valve Upper Receiver	PTP102-34
35	1st Valve Lower Receiver	PTP102-35
36	1st Valve Inner Slide	PTP102-36
37	1st Valve Slide Crook	PTP102-37
38	Valve Slide Ferrule	PTP102-38
39	1st Valve Thumb Saddle	PTP102-39
40	Valve Slide Bow Knob	PTP102-40
41	2nd Valve Slide Assembly	PTP102-41
42	2nd Valve Slide Receiver	PTP102-42
43	2nd Valve Inner Slide	PTP102-43
44	2nd Valve Slide Crook	PTP102-44
45	2nd Valve Slide Ferrule	PTP102-45
46	3rd Valve Slide Assmebly	PTP102-46
47	3rd Valve Upper Slide Receiver	PTP102-47
48	3rd Valve Lower Slide Receiver	PTP102-48

Eldon Trumpet
ETP102

Diagram	Description	Part
49	3rd Valve Upper Inner Slide	PTP102-49
50	3rd Valve Lower Inner Slide	PTP102-50
51	3rd Slide Crook	PTP102-51
52	3rd Valve Slide Ferrule	PTP102-52
53	3rd Valve Slide/Receiver Brace	PTP102-53
54	3rd Valve Slide Stop Screw	PTP102-54
55	3rd Valve/Lower Main Slide Brace	PTP102-55
56	3rd Valve Finger Ring	PTP102-56
57	Lyre Holder	PTP102-57
58	Lyre Holder Screw	PTP102-58
59	Bell	PTP102-59

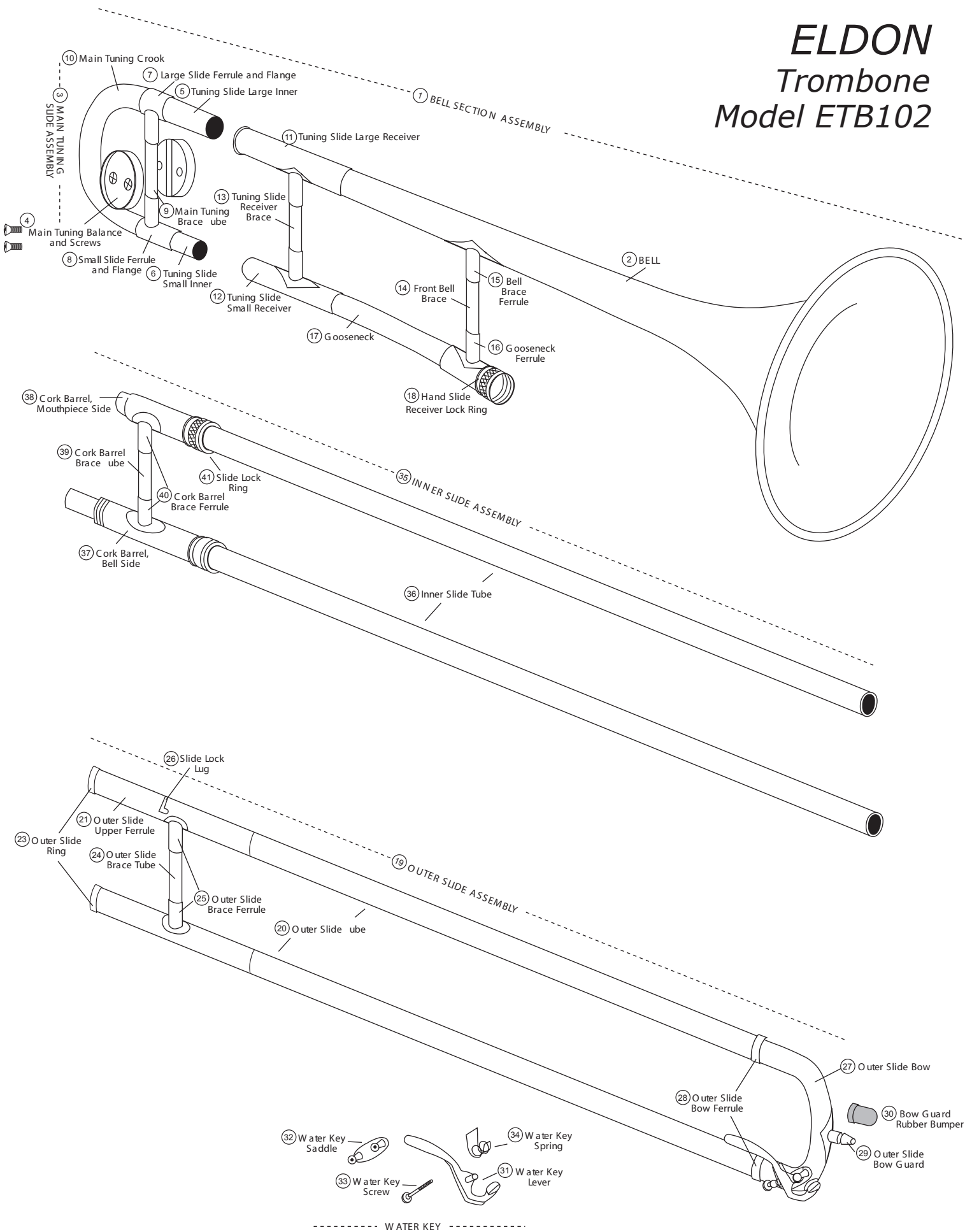
Eldon Trumpet
ETP130/ETP135

Diagram	Description	Part
1	Mouthpiece Receiver	PTP130-01
2	Lead Pipe	PTP130-02
3	Lead Pipe/2nd Valve Brace	PTP130-03
4	Lead Pipe Finger Hook	PTP130-04
5	Main Slide Assembly	PTP130-05
6	Main Upper Receiver	PTP130-06
7	Main Lower Receiver	PTP130-07
8	Main Upper Inner Slide	PTP130-08
9	Main Lower Inner Slide	PTP130-09
10	Main Slide Crook	PTP130-10
11	Main Slide Ferrule	PTP130-11
12	Main Slide Brace and Flanges	PTP130-12
13	Bell/Mouthpipe Receiver Brace	PTP130-13
14	Bell/Main Slide Receiver Brace	PTP130-14
15	Bell/2nd Valve Brace	PTP130-15
16	Bell/1st Valve Receiver Brace	PTP130-16
17	Lever Water Key	PTP130-17
18	Lever Water Key Lever	PTP130-18
19	Lever Water Key screw	PTP130-19
20	Lever Water Key Spring	PTP130-20
21	Finger Button Pearl Insert	PTP130-21
22	Finger Button Assembly	PTP130-22
23	Valve Stem	PTP130-23
24	Valve Stem Felt	PTP130-24
25	Valve Cap, Upper	PTP130-25
26	Valve Cap Felt	PTP130-26
27	Valve Caps, Lower	PTP130-27
28	Valve Guide	PTP130-28
29	Valve Spring	PTP130-29
30	1st Valve Piston	PTP130-30
31	2nd Valve Piston	PTP130-31
32	3rd Valve Piston	PTP130-32
33	1st Valve Slide Assembly	PTP130-33
34	1st Valve Upper Receiver	PTP130-34
35	1st Valve Lower Receiver	PTP130-35
36	1st Valve Inner Slide	PTP130-36
37	1st Valve Slide Crook	PTP130-37
38	Valve Slide Ferrule	PTP130-38
39	1st Valve Thumb Saddle	PTP130-39
40	Valve Slide Bow Knob	PTP130-40
41	2nd Valve Slide Assembly	PTP130-41
42	2nd Valve Slide Receiver	PTP130-42
43	2nd Valve Inner Slide	PTP130-43
44	2nd Valve Slide Crook	PTP130-44
45	2nd Valve Slide Ferrule	PTP130-45
46	3rd Valve Slide Assmebly	PTP130-46
47	3rd Valve Upper Slide Receiver	PTP130-47
48	3rd Valve Lower Slide Receiver	PTP130-48

Eldon Trumpet
ETP130/ETP135

Diagram	Description	Part
49	3rd Valve Upper Inner Slide	PTP130-49
50	3rd Valve Lower Inner Slide	PTP130-50
51	3rd Slide Crook	PTP130-51
52	3rd Valve Slide Ferrule	PTP130-52
53	3rd Valve Slide/Receiver Brace	PTP130-53
54	3rd Valve Slide Stop Screw	PTP130-54
55	3rd Valve/Lower Main Slide Brace	PTP130-55
56	3rd Valve Finger Ring	PTP130-56
57	Lyre Holder	PTP130-57
58	Lyre Holder Screw	PTP130-58
59	Bell	PTP130-59
59a	Bell for ETP 135	PTP135-59

ELDON Trombone Model ETB102



Eldon Trombone
ETB102

Diagram	Description	Part
1	Bell Section Assembly	PTB102-01
2	Bell	PTB102-02
3	Main Tuning Slide Assembly	PTB102-03
4	Main Tuning Balance and Screws	PTB102-04
5	Tuning Slide Large Inner	PTB102-05
6	Tuning Slide Small Inner	PTB102-06
7	Large Slide Ferrule And Flange	PTB102-07
8	Small Slide Ferrule And Flange	PTB102-08
9	Main Tuning Brace Tube	PTB102-09
10	Main Tuning Crook	PTB102-10
11	Tuning Slide Large Receiver	PTB102-11
12	Tuning Slide Small Receiver	PTB102-12
13	Tuning Slide Receiver Brace	PTB102-13
14	Front Bell Brace	PTB102-14
15	Bell Brace Furrule	PTB102-15
16	Gooseneck Ferrule	PTB102-16
17	Gooseneck	PTB102-17
18	Hand Slide receiver Lock Ring	PTB102-18
19	Outer Slide Assembly	PTB102-19
20	Outer Slide	PTB102-20
21	Outer Slide Upper Ferrule	PTB102-21
22	Outer Slide Lower Ferrule	PTB102-22
23	Outer Slide Ring	PTB102-23
24	Outer Slide Brace Tube	PTB102-24
25	Outer Slide Brace Ferrule	PTB102-25
26	Slide Lock Lug	PTB102-26
27	Outer Slide Bow	PTB102-27
28	Outer Slide Bow Ferrule	PTB102-28
29	Outer Slide Bow Guard	PTB102-29
30	Bow Guard Rubber Bumper	PTB102-30
31	Water Key Lever	PTB102-31
32	Water Key Saddle	PTB102-32
33	Water Key Screw	PTB102-33
34	Water Key Spring	PTB102-34
35	Inner Slide Assembly	PTB102-35
36	Inner Slide Tube	PTB102-36
37	Cork Barrel, Bell Side	PTB102-37
38	Cork Barrel, Mouthpiece Side	PTB102-38
39	Cork Barrel, Bell Side	PTB102-39
40	Cork Barrel Brace Ferrule	PTB102-40
41	Silde Lock Ring	PTB102-41